



# FLEXIGLASS FITTING MANUAL - SECTION 1.4B

## TOYOTA - HILUX SR/SR5 2016+

### FLEXITRADE / FLEXIEDGE CANOPY FIT - ISSA3

**Note:** Familiarise yourself with the instructions before you start to ensure you are clear on all aspects of the fit

#### SAFETY EQUIPMENT

- Hearing protection as required
- Eye protection required

#### TOOLS REQUIRED

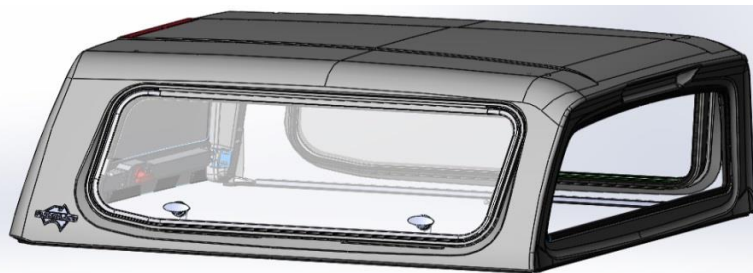
- Silicone sealant & applicator
- Pneumatic or electric drill
- 5mm Drill bit
- 8mm Drill bit
- Rivet gun with 5mm capacity
- 6mm Allen key
- Pneumatic or hand driver
- 14mm Socket
- Cable cutter, stripper, crimp tool
- Lock tight
- Knife or scissors
- Snake for guiding cables
- 10mm Socket
- 12mm Socket
- 13mm Socket
- IPA Wipes or similar product

#### MATERIALS & PARTS REQUIRED SR5/A-deck

Part No.	Description	Qty.
KITFIT515	FT FIT KIT COMPLETE	1
WIREH116150	PNP wiring 16+ Hilux FT FE FX	1

#### MATERIALS & PARTS REQUIRED SR/J-deck

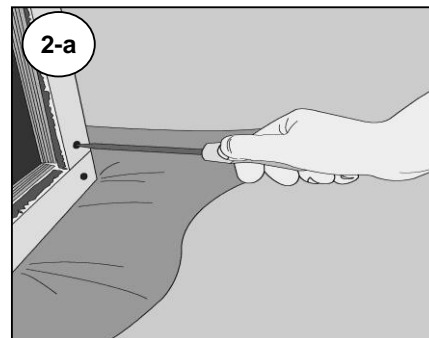
Part No.	Description	Qty.
KITFIT511	FT J DECK FIT KIT	1
TAPE160	SINGLE SIDED FOAM TAPE 12MM x 15MTR	1.6m
WIREH116150	PNP wiring 16+ Hilux FT FE FX	1



**Note:** If vehicle has no cab rack fitted, proceed to Step 4.

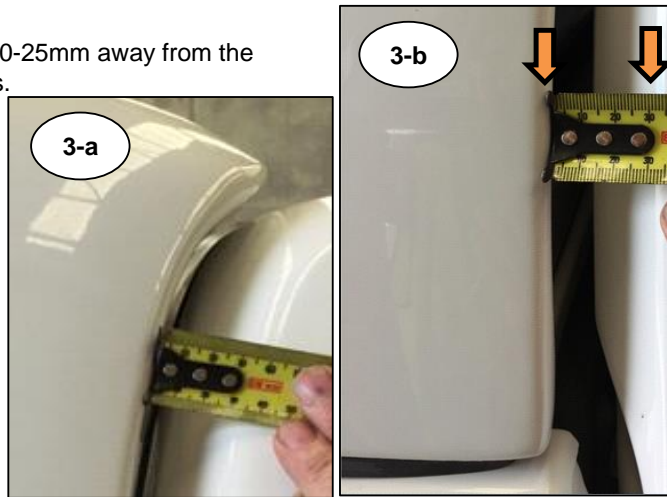
**SR (J-Deck) Specific instructions begin page 3**

- 1 Place a piece of thin plywood or heavy duty cardboard sheet between the cab and the tub to protect paint and glass whilst cutting the cab rack off.
- 2 Sand cut areas of front panel flat and paint bare metal with metal priming paint.
- 3 Remove protective sheet from the vehicle.
- 4 Place canopy on it's front end on a soft surface and if fitted remove the base rail protector strips. See **ILL 2-a**. Any forgotten screw leads to damage on the vehicle. Make sure that all screws are removed. See **ILL 2-b**.
- 5 Apply TAPE380 along tailgate then lift prepared canopy onto tub and position for best fit.

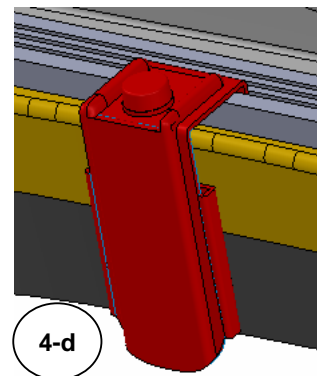
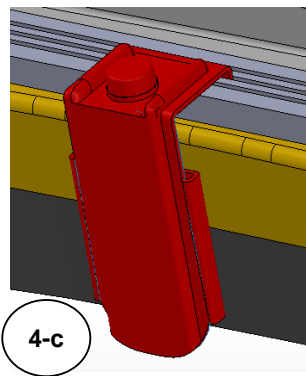
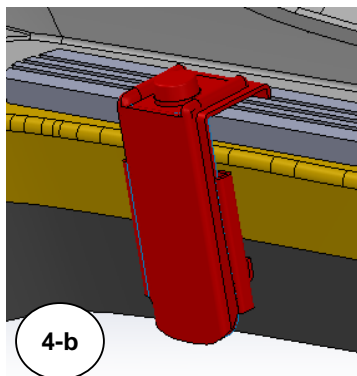
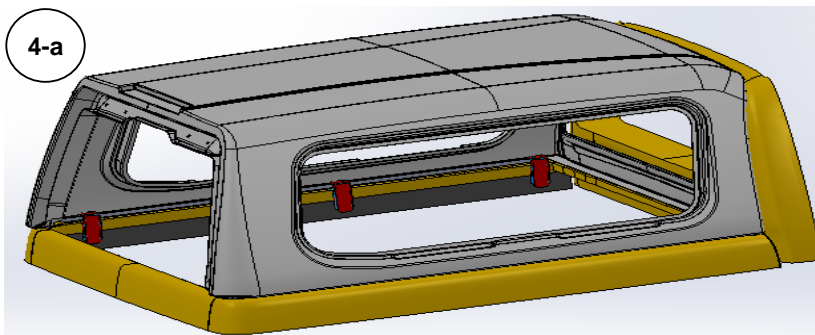


**6 Best Fit' for 2016 Hilux is as per ILL 3-a & b**

The canopy needs to be positioned approx 20-25mm away from the cab - measured to outer edge of body panels.  
 Check that the front edge of the canopy is sitting flush with the front panel of the tub



**7** There are to be 3 clamps fitted per side. Position as far forward and as far rearward as possible, with the 3rd clamp being fitted central. The clamp underside is fitted around the tub flange while the base rail has adjustability in position via fitment to either of the 3 channels as shown see ILL 4-a,b,c,d

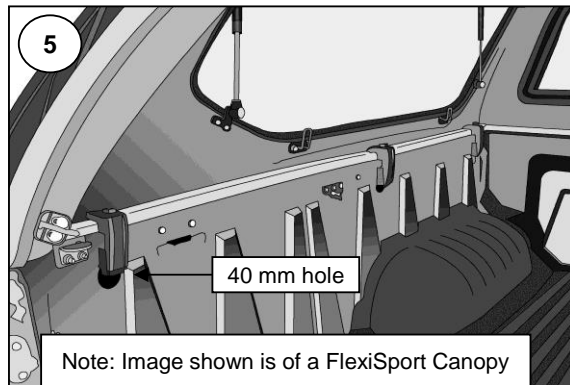


**8** If an over lip liner is fitted holes will need to be cut in the liner to allow the fitment of the six clamps. If an underlip liner is fitted ascertain how stiff the plastic is. If it is too stiff to allow the clamp to be pushed up between it and the metal lip, proceed as follows.

**9** Use a 40mm hole saw to cut a hole in the liner so that the top is level with the bottom edge of the coaming lip. Repeat for all six holes. Refer **ILL 5**

**10** Fit a clamp at each hole position as in **ILL 5**.

**11** Use a 12mm socket and a torque wrench to pull down each clamp to 8NM.



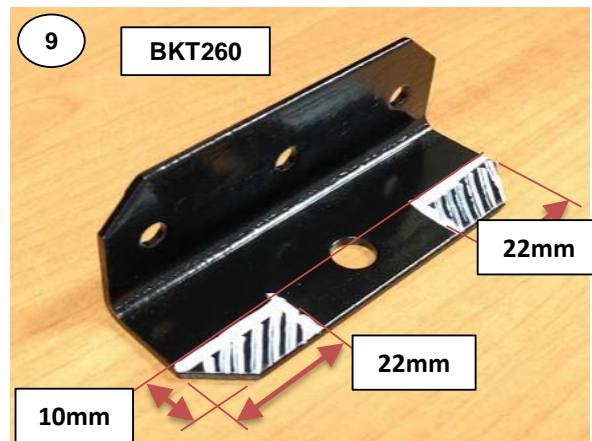
**ALTERNATIVE FITTING METHOD FOR "J" DECK HILUX**

To secure canopy to the J deck variant extra steps are required along with **KITFIT511- FT J DECK FIT KIT**

**12** Remove the bottom jaw of the clamp by undoing the bolt fully. See **ILL 8**.



**13** Modify the mounting brackets to allow the clamps to fit. **ILL 9**.

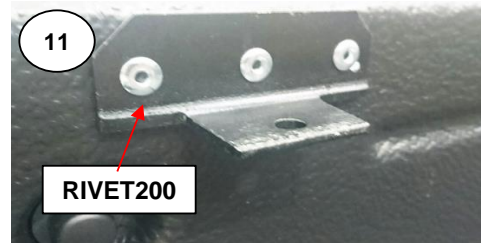


**14** Position the mounting brackets with one at the centre point and one each approx 150mm from each end of the tub. **ILL 10**  
Attach the mounting brackets with 3 RIVET200 in each. **ILL 11**

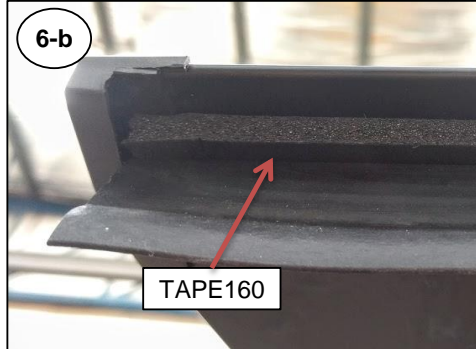


**Note:** Ensure top edge of **BKT260C** is flush with top of tub. Being higher or lower will make clamp fitment difficult.

**Note 2:** It is only permitted to rivet through the liner as shown if the liner is in full contact with the sides of the tub.



- 15 Add a length of TAPE160 along the inside surface of the rear door alloy across the full door width per **ILL 6-a and b**



- 16 Lift the prepared canopy into place on the tub

- 17 Before fixing the canopy down. Check the seal to the tailgate. The door height may need to be adjusted at the hinge to ensure contact with the tailgate. **ILL 7-a & b**



- 18 Position top half of clamp in base rail channel in position over BKT260C. See ILL 12.

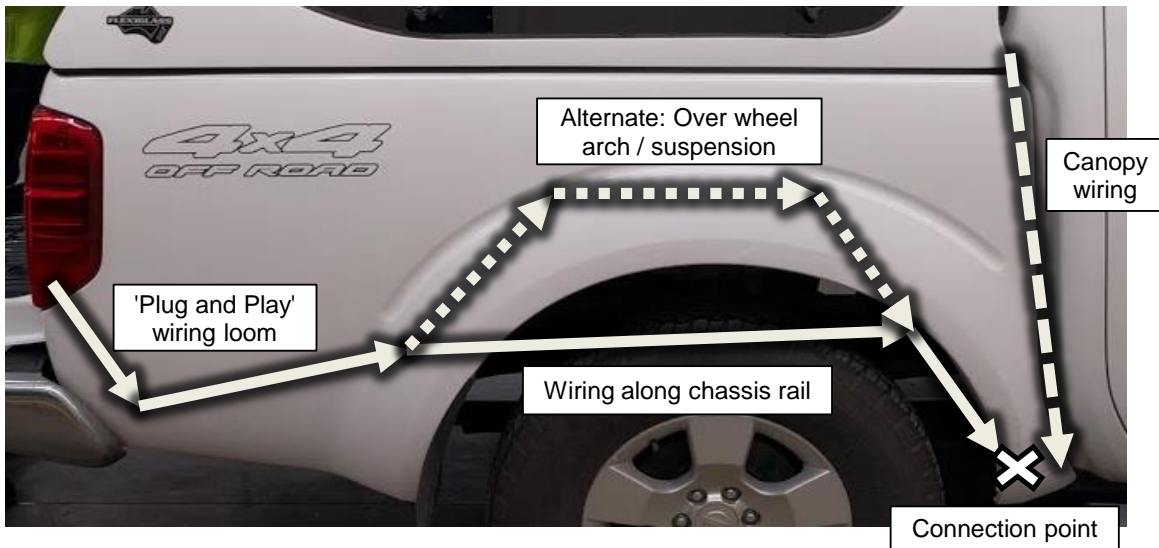


- 19 Fit the clamps, see **ILL 13**, fitting a **WSH140** & **NUT8N** under the bracket.
- 20 Tighten the bracket bolt to **8NM** with a torque wrench as normal, whilst holding the nylock nut with a 12mm spanner

**CONNECTING THE BRAKE LIGHT**

Included with the canopy is a 'plug and play' wiring loom that connects the brake light in the canopy directly to the tail light of the vehicle.

- 12 Start by removing the tail lamp to gain access to the tail light connectors
- 13 Disconnect the tail light and connect the canopy loom between the tail light and the vehicle wiring
- 14 From the tail light cavity, feed the wiring loom down through the opening to the vehicle underside. The wiring needs to travel back to the front of the tub to connect to the canopy wiring. This can be either along (or through) the chassis rail as long as the wire is clear of all moving suspension parts. Alternatively it can be run through the body over the wheelarch or over the top of the suspension.



- 15 Connect to the canopy wiring under the front edge of the tub and wrap the connection with tape. Secure the connection out of the way under the tub and all wiring in place with zip ties. Ensuring there is no slack which may catch on objects and break the wiring.
- 16 Test the brake light operates correctly with and without the headlights on.
- 17 Refit rear tail lamp
- 18 Clean and detail the canopy ready for delivery to the client.