



**FORD**  
**RANGER DC 3Pce**

**Installation Instructions for  
 Primed  
 Hard Tonneau Cover**

**Place these instructions in vehicle's glove box after installation is complete.**

**IMPORTANT:** Check that all listed components of this kit detailed in this document are present.


Item	Component Name	QTY
1	Primed lid	1
2	Fitting Instructions	1
3	Foam Tape Kit	1
1	Fitting Kit	1

**Tools & Safety Equipment :**

Electric drill, Phillips head drill bit, Torx bit T40, 5mm Allen key, Stanley knife, Masking tape, marking pen or pencil.

Hearing Protection, Eye Protection and Gloves as required

1. Remove primed lid from the box. Turn the lid upside down and place the lid on a stand
2. Mask up carpet ready for painting
3. Turn lid over and prep for painting



**CAUTION:** Lid has been primed using PPG Autothane primer  
 The primed lid requires appropriate sanding for two pack paint application

Recommendation:  
 Dry—P500 Sand Paper  
 Wet—P800 Sand Paper

1. Paint the lid.
2. Make sure that there is a 4cm border of paint underneath the whole lid.
3. After paint has cured, detail lid
4. After finishing detailing flip the part over. Fit foam tape kit to lid.

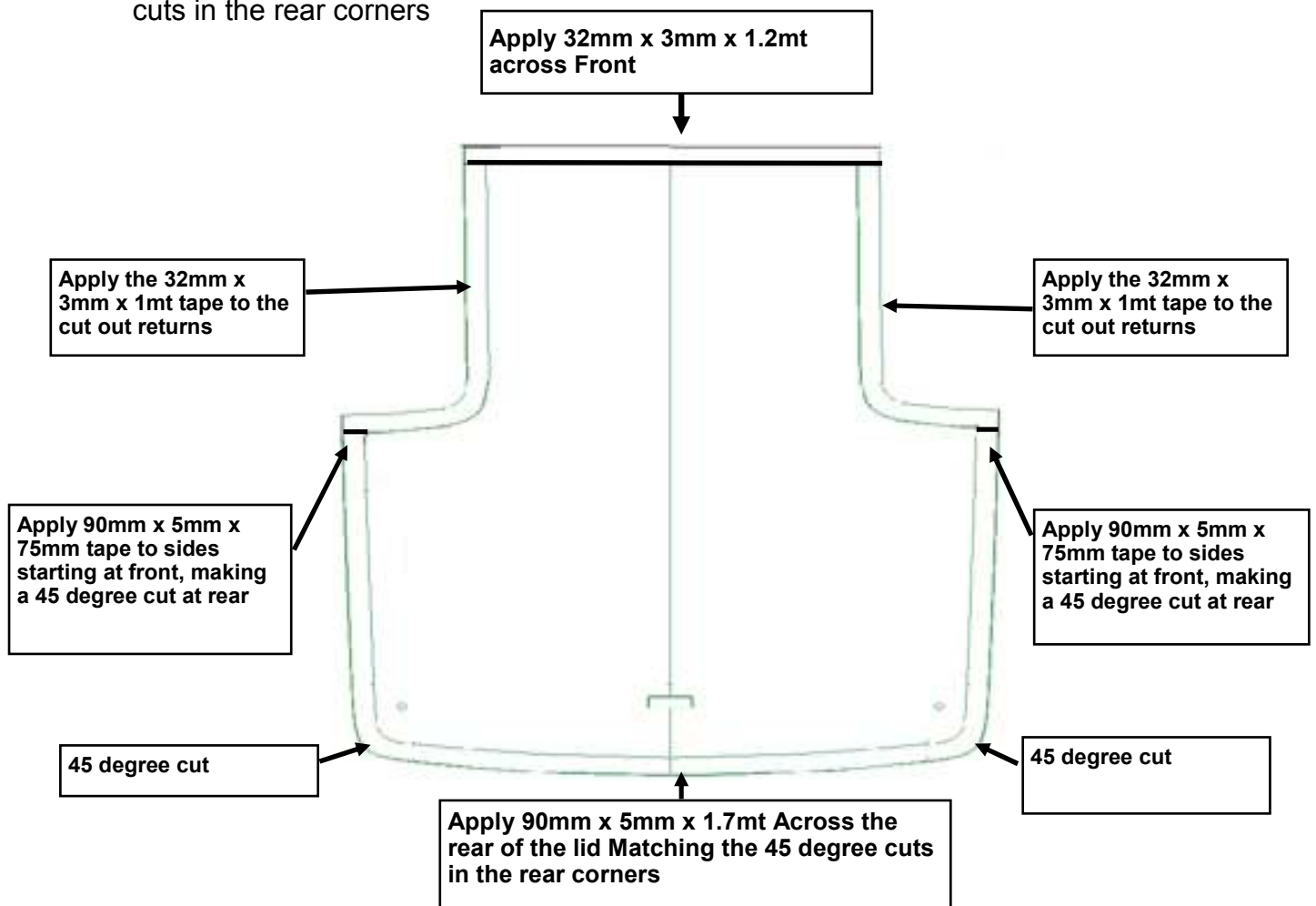
# FORD RANGER DC 3Pce Primed Lid

## Foam Tape Kit

Item	Description	Qty	Size
1	32mm x 3mm Tape	1	1.2mt
2	90mm x 5mm Tape	2	75mm
3	90mm x 5mm Tape	1	1.7mt
5	32mm x 3mm Tape	2	1mt

### Installing Foam Tape Kit

1. Turn Lid upside down making sure to protect paint work.
2. Apply the 32mm x 3mm x 1.2mt Tape across front of lid.
3. Apply the 32mm x 3mm x 1mt tape to the cut out returns on both sides
4. Apply the 90mm x 5mm x 75mm tape on side of lid, starting at front, making a 45 degree cut at rear
5. Apply the 90mm x 5mm x 1.7mt tape across the rear of the lid Matching the 45 degree cuts in the rear corners



# **FORD RANGER DC 3Pce**

## **FITTING INSTRUCTIONS**



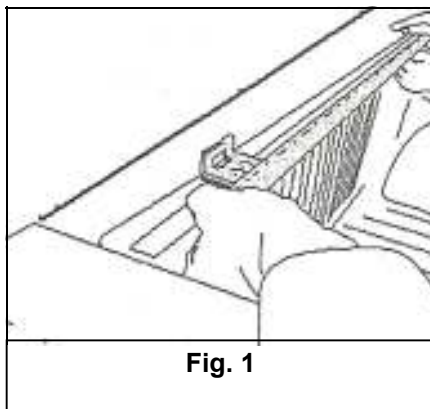
**IMPORTANT: BEFORE INSTALLING TONNEAU COVER.**

**REMOVE & RETAIN the Sports Bar and all Hardware.  
DISCONNECT the Brake Light**

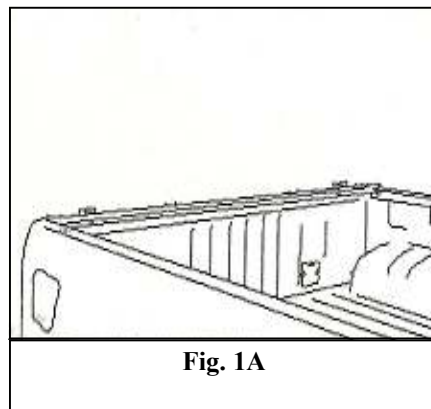
### **CAUTION:**

**Over tightening fasteners attached to the hard tonneau cover may damage the threaded inserts. Please use recommended tightening torques where specified.**

1. **Remove** the Front Brackets from the sports bar, **remove** the feet cups from the front of the sports bar. Using a hacksaw or sharp blade, trim the skirt from the front feet cups, Trim the skirt from the rear feet cups whilst on the sports bar.
2. Fit the infill panels to the sports bar, Slide the infill over the rear brackets. Reassemble the front bracket to the sports bar. **NOTE: Take care not to break the bolts on the sports bar, 2 Spare Bolts are supplied.**
3. With the sports bar removed Fit the FBA Bar to the front of the tub, lining up the 4 pre drilled holes using the M6 Bolts 20mm Bolts (supplied) attach the FBA Bar. Using 4 x 20mm Tek screws to secure it down. Apply clear or black silicone to any gaps between the FBA and the vehicle to prevent water entry.  
**REF Fig. 1 and Fig. 1A**

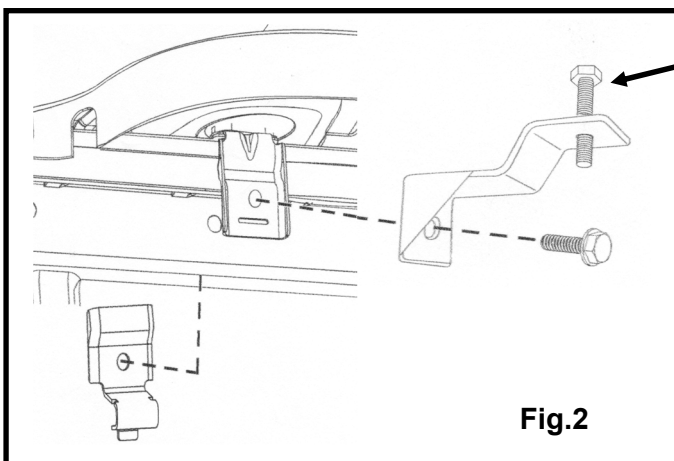


**Fig. 1**



**Fig. 1A**

4. Refit Sports bar to Ute, when assembling the rear of the sports bar to the Ute fit the Infill support brackets. Fit the support bracket over the top of the rear mounting bracket and re attach using the M8 and mounting bracket from Rear Sports Bar. **REF Fig. 2**



**Fig.2**

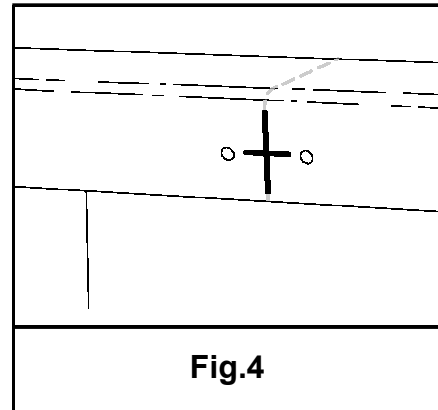
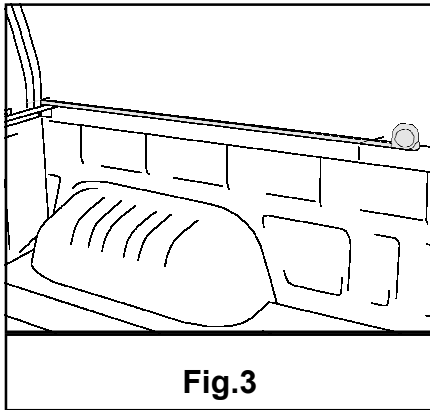
**NOTE: Assemble M8 80mm Bolt and Hex Nut, Insert into support bracket Turn Bolt to about half way down.**

**DO NOT FULLY TIGHTEN** Leave room for adjustment after lid has been fitted.

**Re-connect the Brake Light**

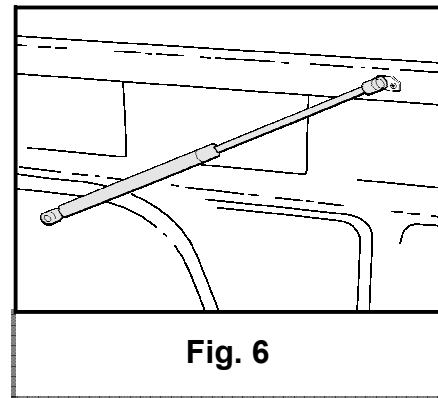
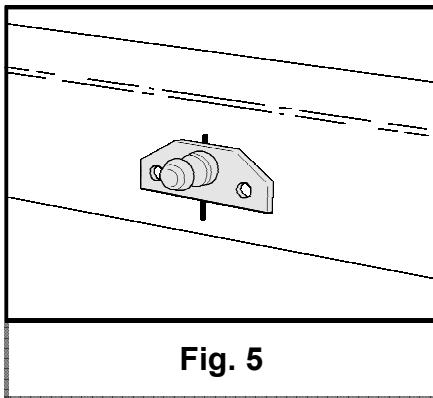
- Place tape measure inside the front edge of tub, measure along top edge of tray **1270mm** then down **30mm** and mark the ball position for the gas strut bracket. Position the gas strut bracket accordingly, mark both mounting holes and center punch.

**Refer to Fig. 3 and Fig. 4**



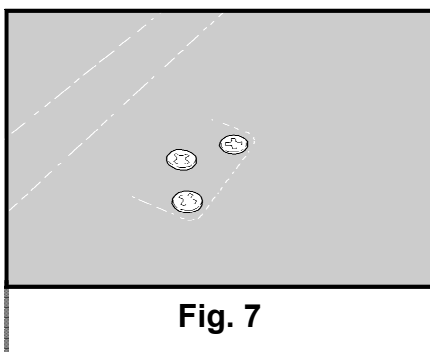
- Using a drill-stop set to 5 mm, drill two pilot holes using 2 mm diameter drill bit and attach small gas strut bracket using self-drilling screws. Repeat process on other side of tray.

**Refer to Fig. 5**



Attach small shaft end of gas strut onto gas strut brackets, by clicking them in place.

**Refer to Fig. 6**

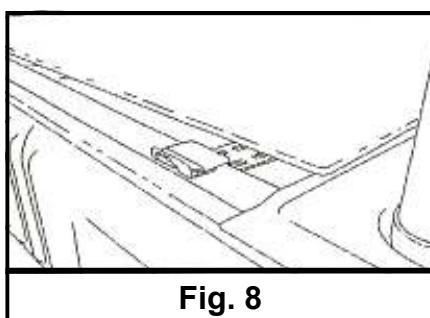


- Ensuring the lid is adequately supported to prevent damage or scratches, unscrew the 6 Phillips head screws from the underside of the lid (3 per side) and use them to fit the upper gas strut mounting brackets to the lid.

**Refer to Fig. 7**



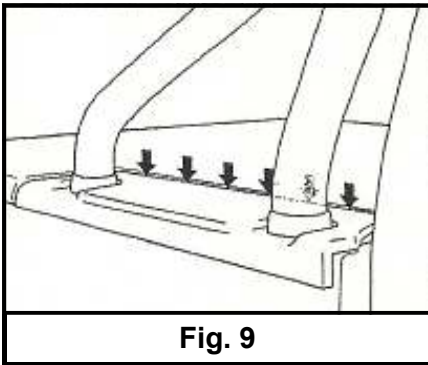
**Important:**  
**DO NOT** over tighten screws.  
Recommended tightening torque is 1-3 Nm



- With one person on each side carefully lift the lid vertical and insert the hinge tongues into the hinge slots on the FBA bar ensuring uniform gap between cover and infill panels, as well as between cover and vehicle body. Carefully lower the lid ensuring that the tongues are fully inserted into the hinge slots.

**Refer to Fig. 8**

8. Fit the **Cylinder end** of the Gas Strut to the strut balls (**Shaft end** attaches to the tub) A 'click' should be heard to ensure strut has locked onto ball.



9. With the lid closed, adjust the support bracket bolt from inside the tub until no light can be seen through the join ( as indicated by arrows) between the lid and the inserts. Tighten the sports bar brackets and replace the Sportsbar Bracket covers. **Refer Fig. 9**

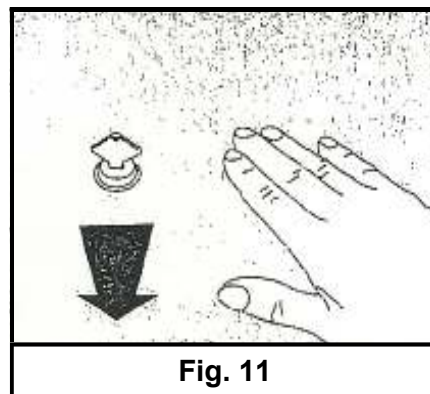
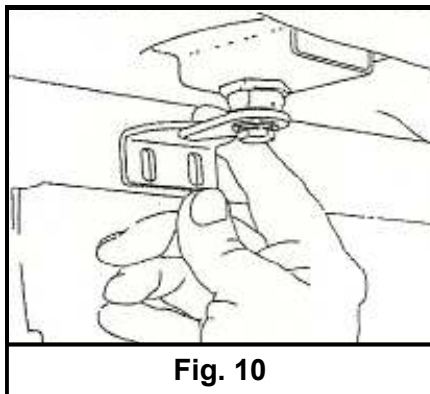
10. Close lid and check it fits snugly and evenly around all sides Make sure it also fits down snugly over the tailgate. If it doesn't then adjust as follows:

- Open lid, disconnect struts from lid.
- Loosen four Allen key bolts on each side of the two hinge tongues on the lid.
- One person needs to lie on their back in the utility while second person closes lid and adjusts the fit by setting lid into ideal position. The person in the Ute then re-tightens the Allen head bolts before opening lid.
- Open lid and reattach gas struts.

11. To fit lock brackets, open tailgate and close lid. Make a mark where the lock cam (arm) lines up with the sides of the Ute body. Open lid to install lock bracket. Position lock bracket and using a 2mm Diameter drill bit set to 5mm drill stop to drill pilot hole in each vertical slot of the bracket. Fasten bracket with self-drilling screws (supplied) ensuring thread installs into metal of Ute rail allowing for up and down adjustment. **REF Fig. 10**

12. Close the lid and try the locks. You may need to adjust the lock brackets on the Ute tub up or down. When correctly adjusted, you should need to apply **slight** pressure to the lid in order to operate the locks.

**REF Fig. 11**



**Important:**

To remove the lid from the vehicle, detach the gas struts from the lid. This is done by inserting a small screwdriver under the metal spring clip on the strut and easing it out sufficiently to allow the strut to be popped off the ball.

**Never completely remove the metal spring clip from the gas strut end, and never force the strut off the ball.**

Your utility should now look fantastic with its new lid fitted. Remember, when removing and re-fitting your Ute lid ensure that the hinges are fully engaged to avoid damaging or bending them.

**MAINTENANCE:** Painted Lids will need to be polished and kept clean just as you would the other painted areas of your vehicle. Regularly check that all brackets and screws are tight.

**WARNING** – Don't allow people or animals beneath the Lid. Don't place excessive weight on Lid. Always lock the Lid when driving or reversing.