

FLEXIGLASS



5.2S - Floor Mat Single CAB Tray Fit

SAFETY EQUIPMENT

- Hearing protection as required
- Eye protection as required

TOOLS REQUIRED

- Pneumatic / Electric Hacksaw

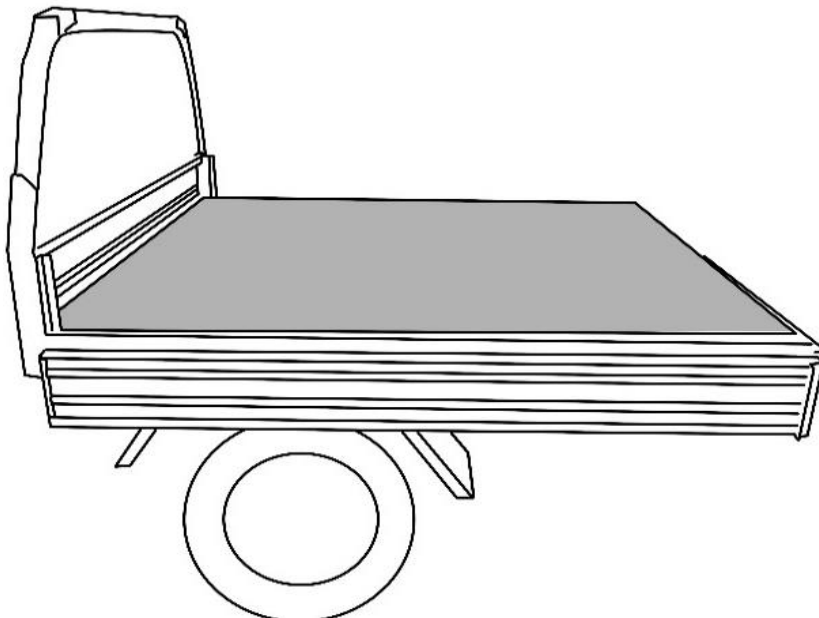


MATERIALS & PARTS REQUIRED

Part No.	Description	Qty.
A	Mat Rubber 8X6	1

GENERAL NOTES

- Please read the fitting instructions prior to fitting the accessory.
- Install this accessory by following these fitting instructions. Please Note: Failure to follow these fitting instructions could result in damage to the vehicle and / or accessory.
- Recycle discarded components and packaging in accordance with the local regulations.
- Inspect the vehicle and note any damage or concerns found prior to accessory fitment. If there are any concerns contact the manufacturer before installing the accessory.
- If any damage or concerns are found that may interfere with the installation of the accessory, inform the customer prior to fitting the accessory.
- Ensure that you take care of and safely store any components that are removed from the vehicle.
- Ensure all bare metal surfaces are protected using an automotive bare metal primer and touch-up paint or suitable soft seal compound with rust inhibitor.
- Ensure any metal swarf or dust is carefully removed from all vehicle surfaces.
- Do not make any repairs or modifications to this accessory as it will void the warranty.
- Do not remove any of the accessory's labels.



20 Mins



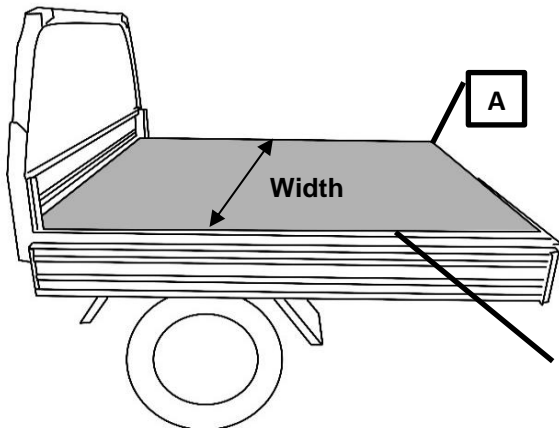
MAT8X6

ISSUE 1

16/04/2019

Page No : 1/2

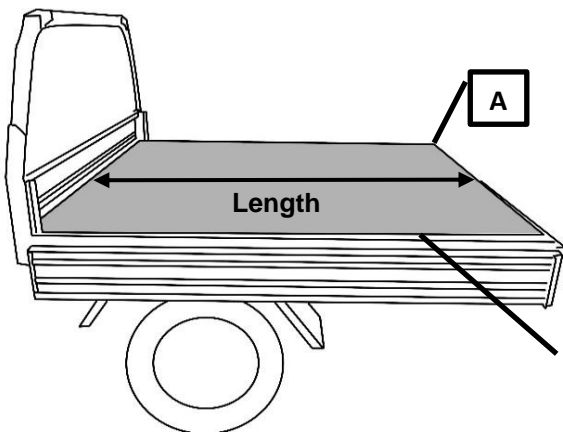
1



- Trim the width of **A** (Mat Rubber 8X6) (use short edge as width) according to the specified measurements below;
 - Floor Mat Single CAB width: 1790 mm



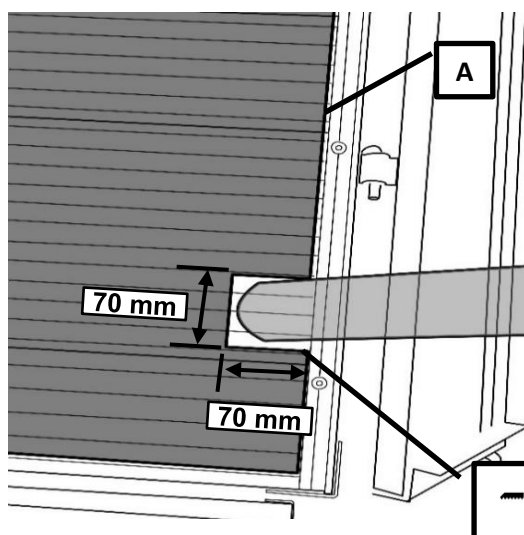
2



- Trim the length of **A** (Mat Rubber 8X6) (use long edge as length) according to the specified measurements below;
 - Floor Mat Single CAB length: 2350mm
- Place the trimmed **A** (Mat Rubber 8X6) on to the tray.



*



- If Rear Ladder Rack is fitted or will be fitted, trim and remove the section of **A** (Mat Rubber 8X6) according to the specified measurements (70 mm X 70 mm) around the rack.



MAT8X6

ISSUE 1

16/04/2019

Page No : 2/2